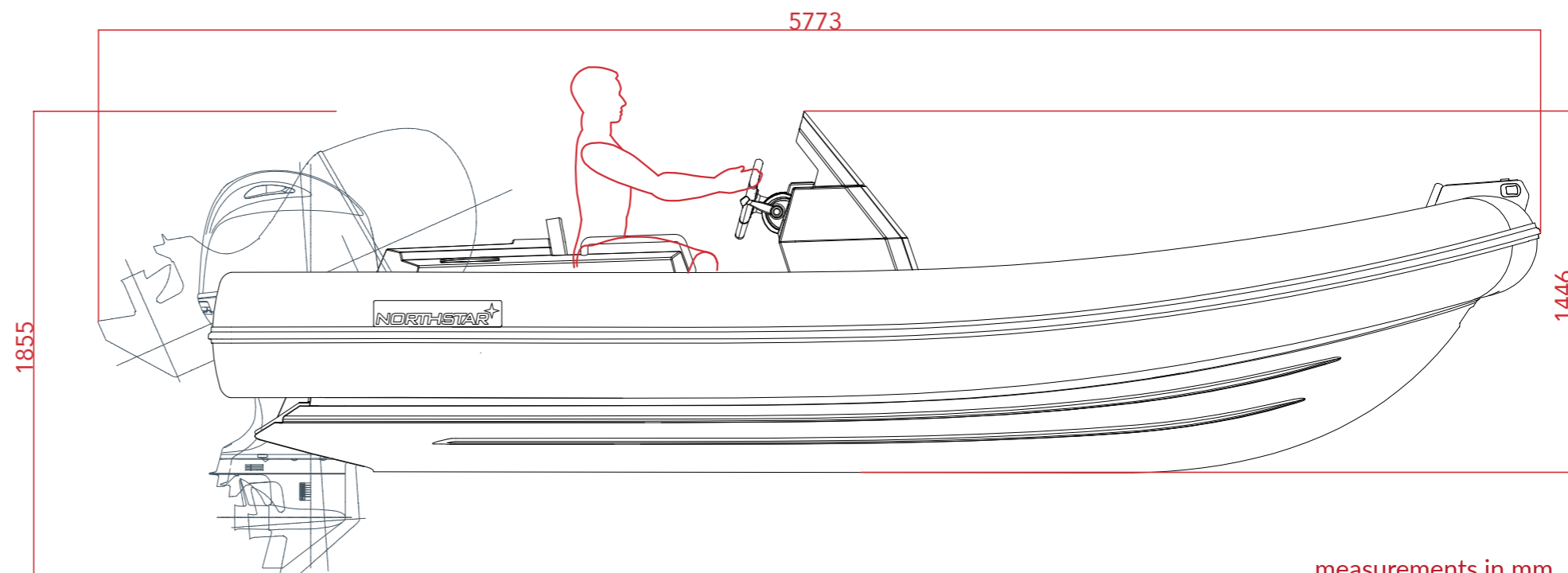
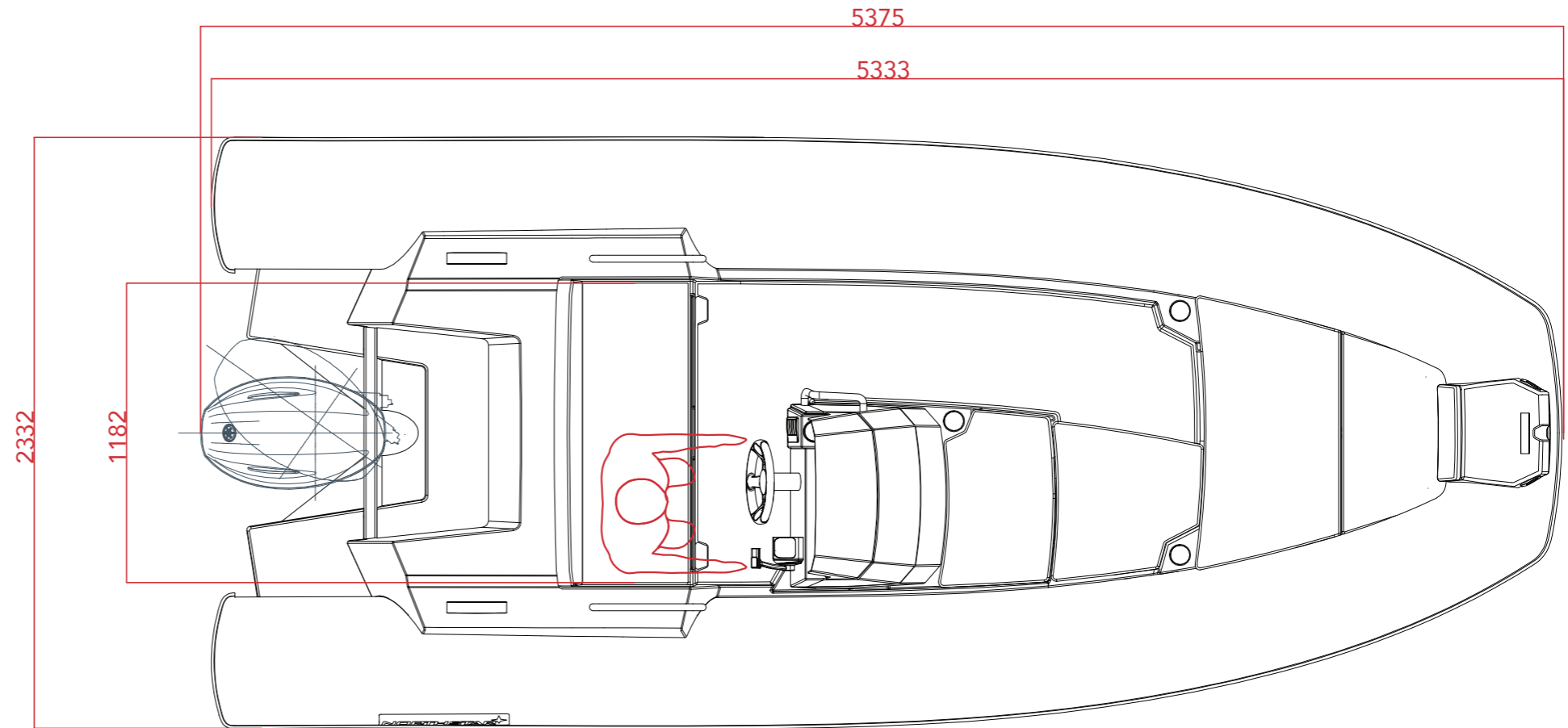


# NORTHSTAR<sup>★</sup> AXIS 5.3

## Specifications

Length	5.3 m. / 17'5"
Beam	2.33 m. / 7'8"
Weight	495 kg. / 1902 lbs
Tube Diameter	0.48 m. / 18.9"
Suggested Tube Pressure	0.18 bar / 2.6 psi
No. of Chambers	4
Maximum Persons	9
Minimum Power	70 HP
Maximum Power	100 HP
Recommended Power	90 HP
Shaft Length	L
Fuel Tank Capacity	62 lt. / 16.4 US Gal
Design Category	CE - Cat. C



measurements in mm